

SVS VALVE PLUG FORM A 18MM FIELD-WIREABLE

24...230V LED M16x1.5 Bridge Rectifier

Form A (18 mm)

24...230 V AC/DC

LED and bridge rectifier

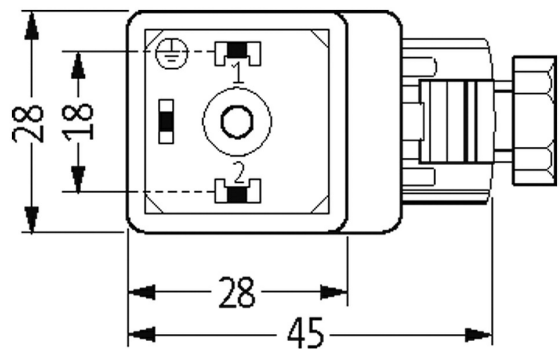
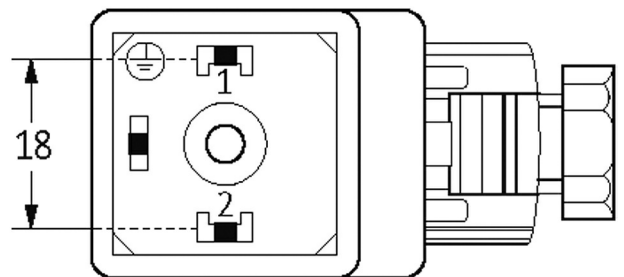
metric

Plastic housings with good resistance against chemicals and oils.

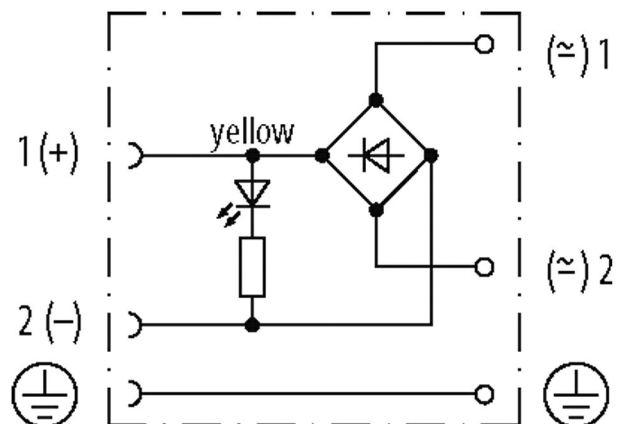
The resistance to aggressive media should be individually tested for your application. Further details on request.

[Link to Product](#)

Illustration



Height: 41 mm



Product may differ from Image

Form

Form	29521
------	-------

General data

Temperature range	-20...+60 °C
-------------------	--------------

Technical Data

Operating voltage	24...230 V AC/DC
-------------------	------------------

Operating current per contact	max. 1 A
-------------------------------	----------

Configuration	2 contacts + PE
---------------	-----------------

Locking of ports	M3 (recommended torque 0.4 Nm)
------------------	--------------------------------

Protection	IP65 inserted and tightened (EN 60529)
------------	--

Commercial data

country of origin	CN
-------------------	----

customs tariff number	85366990
-----------------------	----------

EAN	4048879187374
-----	---------------

eClass	27279221
--------	----------

Packaging unit	1
----------------	---